



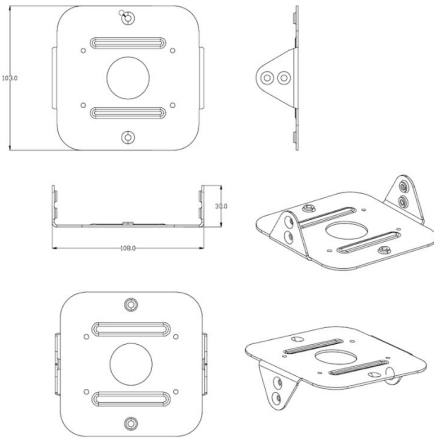
SMARTRUCK

HD

smart...for a reason

P/N: RR6277
77GHz Reversing Radar

Product Specification - The SmarTruck HD Part No RR6277 is a rugged 77 GHz reversing radar that provides both visible and audio-based feedback for vehicles during backing events. The radar provides 180° horizontal and 30° vertical coverage with a range of 65 meters / 213.25 ft.



System Features

- 77 GHz
- Operates on 12V/24V
- Radar provides 180° horizontal / 30° vertical coverage
- Radar detects objects up to 65 meters/213.25 feet away
- Unit provides both visual and audio alerts
- Adjustable Audio volume $\geq 90\text{dB}@12\text{V}/10\text{cm}$
- LED Display
- Power Harness
- 7.5m Sensor Extension Cable
- Motionless Object Learning Function

Radar Specs	
Part No.	RR6277
Rated Working Voltage	12V/24V
Operating Voltage Range	9-32V
Power Consumption	<6W
Operating Temperature Range	-40°C ~ +85°C
Storage Temperature Range	-40°C ~ +85°C
Working Frequency	76-77GHz
Transmit Power	12dBm
Modulation Mode	FMCW
Antenna Form	4TX, 4RX
Traceable Target Number	31
Horizontal Angle	180°
Vertical Angle	30°
Angle Accuracy	$\pm 0.5@40^\circ$
Angular Resolution	18°
Speed Range	-150~+150km/h
Speed Accuracy	0.15m/s
Detectability	65m
Distance Accuracy	0.13m
Distance Resolution	0.19m
Waterproof Grade	IP6K7
Display Specs	
Rated Working Voltage	12V/24V
Operating Voltage Range	9-32V
Working Current	<500mA@12V
Operating Temperature Range	-40°C ~ +80°C
Storage Temperature Range	-40°C ~ +85°C
Volume	$\geq 90\text{dB}@12\text{V}/10\text{cm}$

Product specifications subject to change on 60-day notice.

Click on the QR Code to download this literature

